

PALLARI

KHM-100 *Shear*

NEW

Stump harvester PALLARI KHM-100

is device designed for breaking and lifting stumps at site. KHM-100 can be installed with excavator's quick connector. This enables smooth change with other work devices like e.g. shovel.

With back plate of KHM the soil cultivating is also easy.

FEATURES:

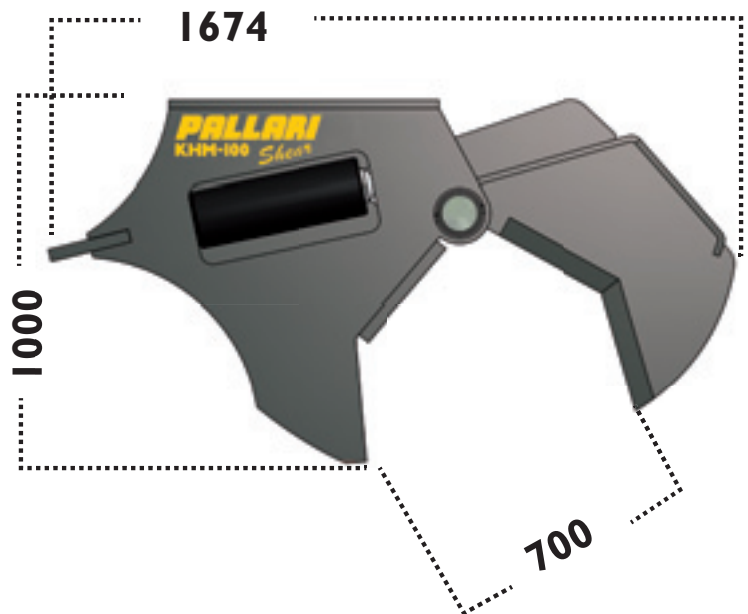
- easy mounting
- wide usability
- durable: hardened tensile strength steels
- cost effective
- can be fitted to most excavators

APPLICATIONS:

Can be used for tearing, cutting and breaking all kinds of wooden materials in forest and recycling centers and also in other similar places.

USAGE:

When loosening stumps shake excess dirt to reduce weight. Cut stumps and roots into smaller pieces to reduce size.



SPECIFICATIONS:

- Hydraulic pressure (max.) 320 bar
- Gap opening approx 70 cm
- Cutting force approx 26 t
- Weight approx 800 kg
- Recommendation 10-15 t (size of excavator)
- Total height approx 100 cm
- Total width approx 60 cm
- Quick coupling according to base machine.

Manufacturer:

**TERVOLAN
KONEPAJA**

Konepajantie 6,
FI-95330 Tervola
Tel. +358 (0)20 743 3070
email: terko@terko.inet.fi
www.tervolankonepaja.fi

Distributor: